

Data sheet dome loaded pressure regulator LTD-2

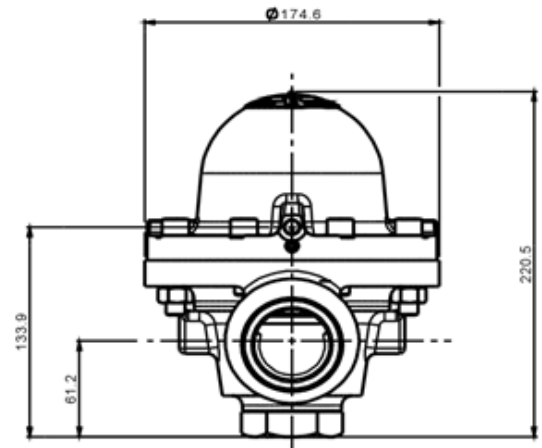
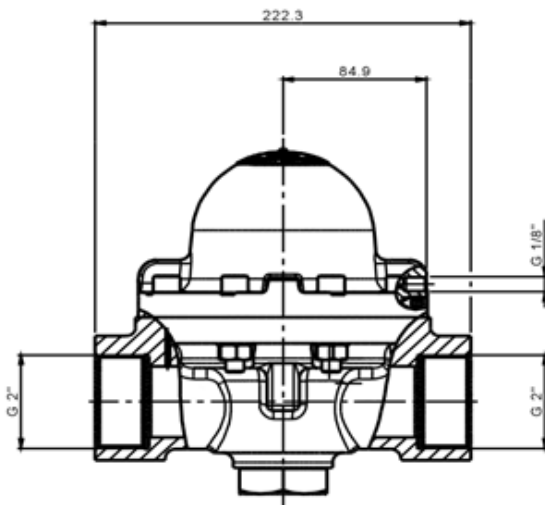
Precise and instantaneous pressure control without “wobbling“ even with large variations

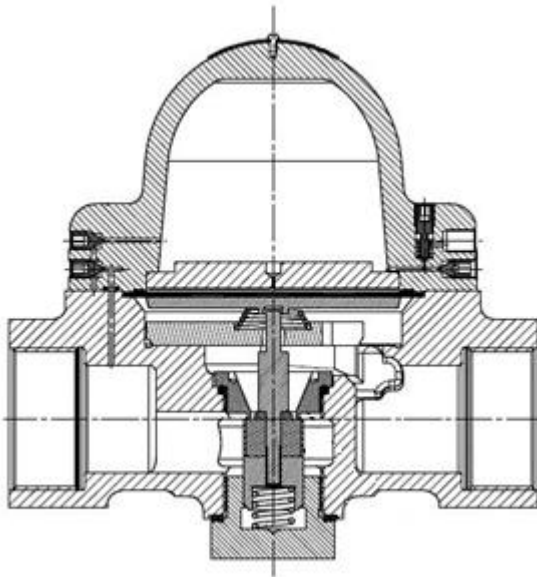


- For almost all technical gases, air and liquids
- Performance: 10 ... 5,000 Nm³/h
- Maximum inlet pressure: 0.5...69 bar
- Maximum outlet pressure: 0.1...65 bar
- Sealing material: EPDM for membrane and seal
- Temperature range: -20 ... 70°C
- Weight Aluminum alloy: 6.4 kg
- Flow coefficient:
 - $C_v = 8.0$
 - $K_v = 8.3$

Conversion factors:

- Oxygen:	0,95
- Hydrogen:	3,80
- Propane:	0,80
- Carbon dioxide:	0,81
- Dinitrogen monoxide:	0,80
- Nitrogen:	1,00
- Argon:	0,85
- Helium:	2,70





- Installation length approx. 222 mm, height approx. 220 mm
- Connection inlet and outlet:
G 2" RH – female
Optionally flange DN50 PN40
- Safety function: closed by spring force and positive tightening
- Options:
Factory certification acc. to EN 10204
- Materials: aluminum alloy

Also available as:

- Pressure Control System with
 - Inlet and outlet stop valve
 - Bypass
 - Pressure gauge (inlet pressure and/or outlet pressure)
as well as pressure transmitter
 - Control by pilot pressure controller
as well with external recirculation
 - Safety valve
 - Gas filter
 - Mounted on wall console or rack,
as well with roof
- Dome loaded pressure control unit with
 - Control by pilot pressure controller
as well with external recirculation
 - Pressure gauge (inlet pressure
and/or outlet pressure)

