



Flashback and Decomposition Arrestors for SHIPYARDS

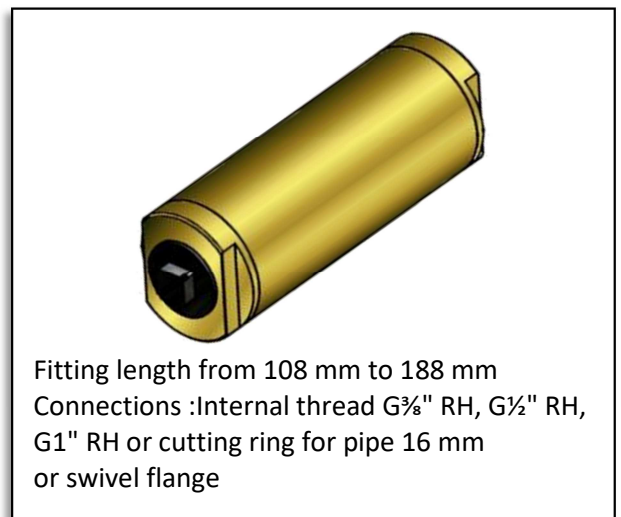
from LT GASETECHNIK



LT GASETECHNIK's flashback and decomposition arrestors are characterized by **highest robustness**. They are designed particularly for operation in **rugged environments** such as in shipyards.

Flame arrestor & temperature sensitive cut-off valve

- Flashback arrestors according to EN 730-1
- For flammable gases = Decomposition arrestors for Acetylene
- Type-Approval: LT4050 82D-03172FS82D-03272FS
- Assembly at pressure control station resp. in piping
- Performance:
 - LT 4050 :
($\Delta p = p_1$) $p_1 = 1.5 \text{ barg} \rightarrow 15,0 \text{ Nm}^3/\text{h}$
 - LT 4100 :
($\Delta p = p_1$) $p_1 = 1.5 \text{ barg} \rightarrow 55,0 \text{ Nm}^3/\text{h}$





Available for flammable gases, Acetylene and Oxygen



Features

- Temperature sensitive cut-off valve
- Flame arrestor
- High performance
- Robust
- For rugged environments

Safe supply of defined Oxygen concentration in your process air.
Please contact us for your individual solution

LT GASETECHNIK

beyond standards

Martener Str. 535 – 44379 Dortmund – Germany

Tel +49 231 / 96 10 70-0

Fax +49 231 / 61 38 44

mail@lt-gasetechnik.com

www.lt-gasetechnik.com

April 2017

